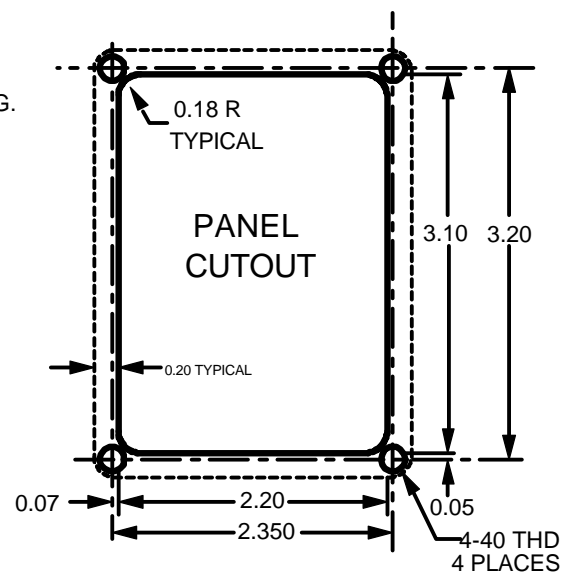


REVISIONS			
REV	DESCRIPTION	DATE	APPROVAL
A	REVISED	1/96	



TO ADD TEFLON BALL SHIELD, ADD "R" TO NUMBER
 -1 CKT BD SERIAL 100616
 -2 CKT BD PS/2 100625

EVERGREEN		
4740 CALLE QUETZAL, CAMARILLO, CA 93012		
SCALE: 2X	APPROVED BY:	DRAWN BY:
DATE: 9/93		REVISED 1/96
1.5" PANEL MOUNT TRACKBALL		
OFST8	PMA150-xxx	DRAWING NUMBER 100628 A